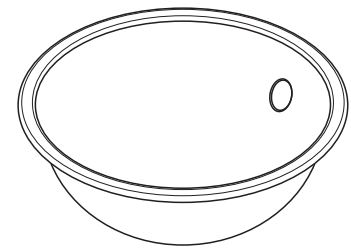


COMPONENTI



X 1



X 1



X 2



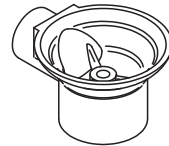
X 2



X 1



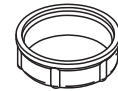
X 1



X 1



X 1



X 1



X 1



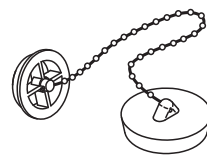
X 1



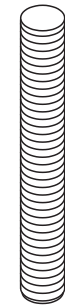
X 1



X 1



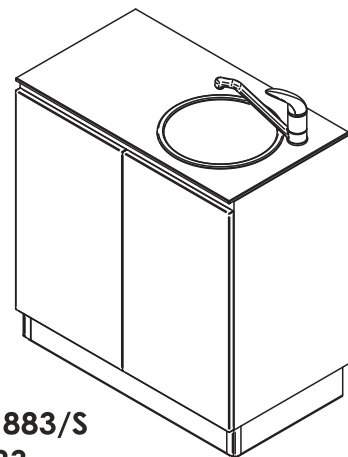
X 1



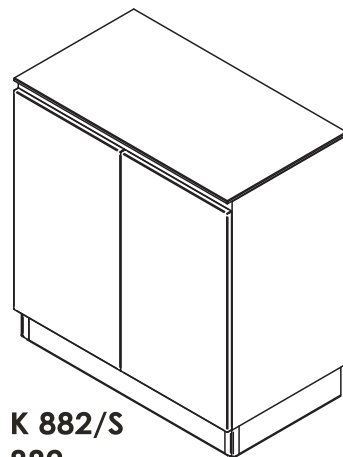
X 1



X 1



K 883/S
883



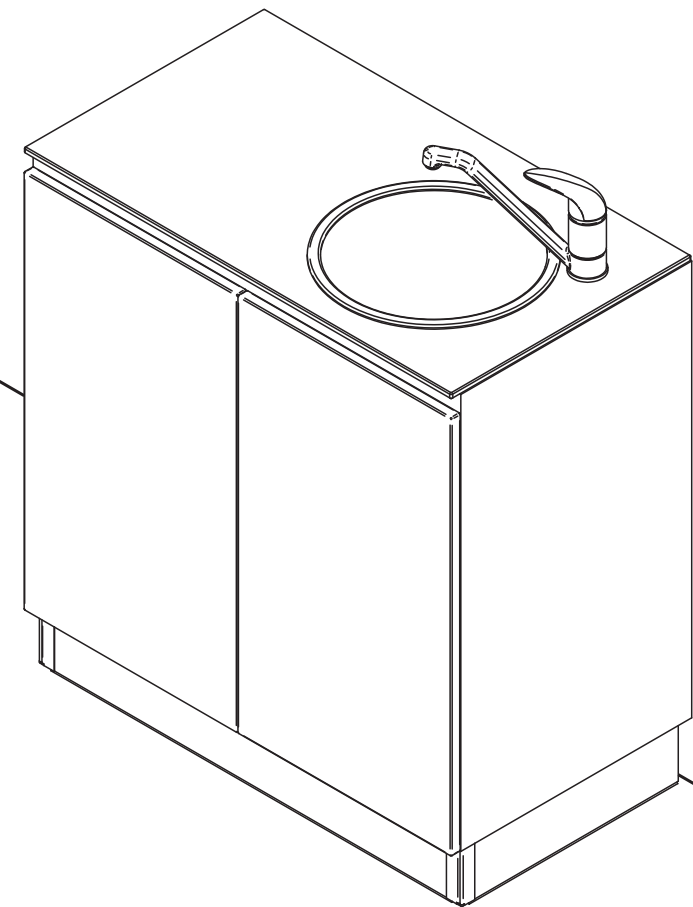
K 882/S
882

PIETRANERA S.p.a._Fil. Castenaso
Via Rossini, 6 - 40055 Villanova di Castenaso (BO) Italy
www.karismabeauty.com

T +39.051.782466
F +39.051.781704
info@karismabeauty.com

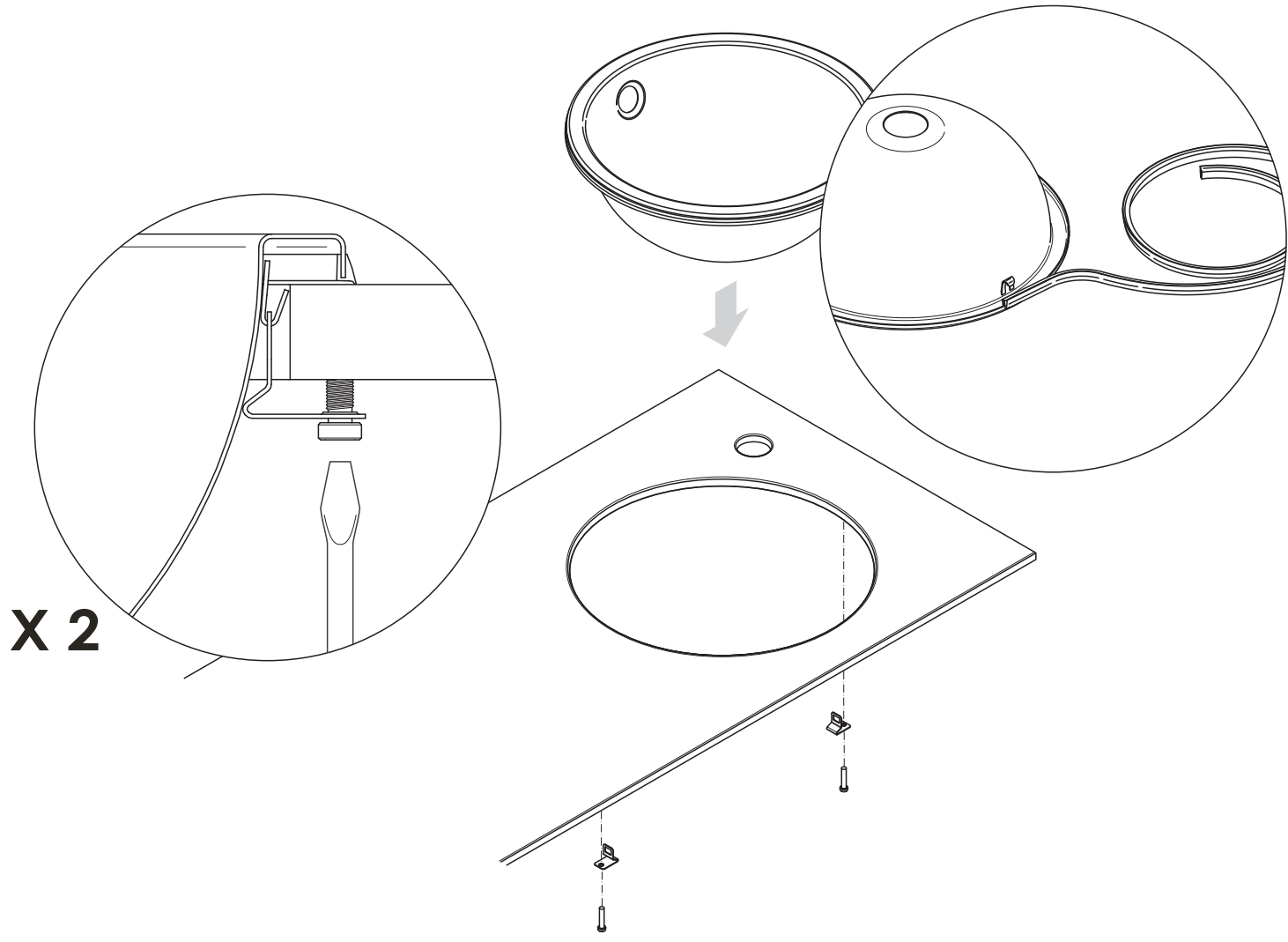
PIETRANERA S.p.a.
Via Masaccio, 2 - Z.I.Mancasale - 42124 Reggio Emilia - Italy
www.pietranera.com

T +39.0522.516.510
F +39.0522.514.669
info@pietranera.com

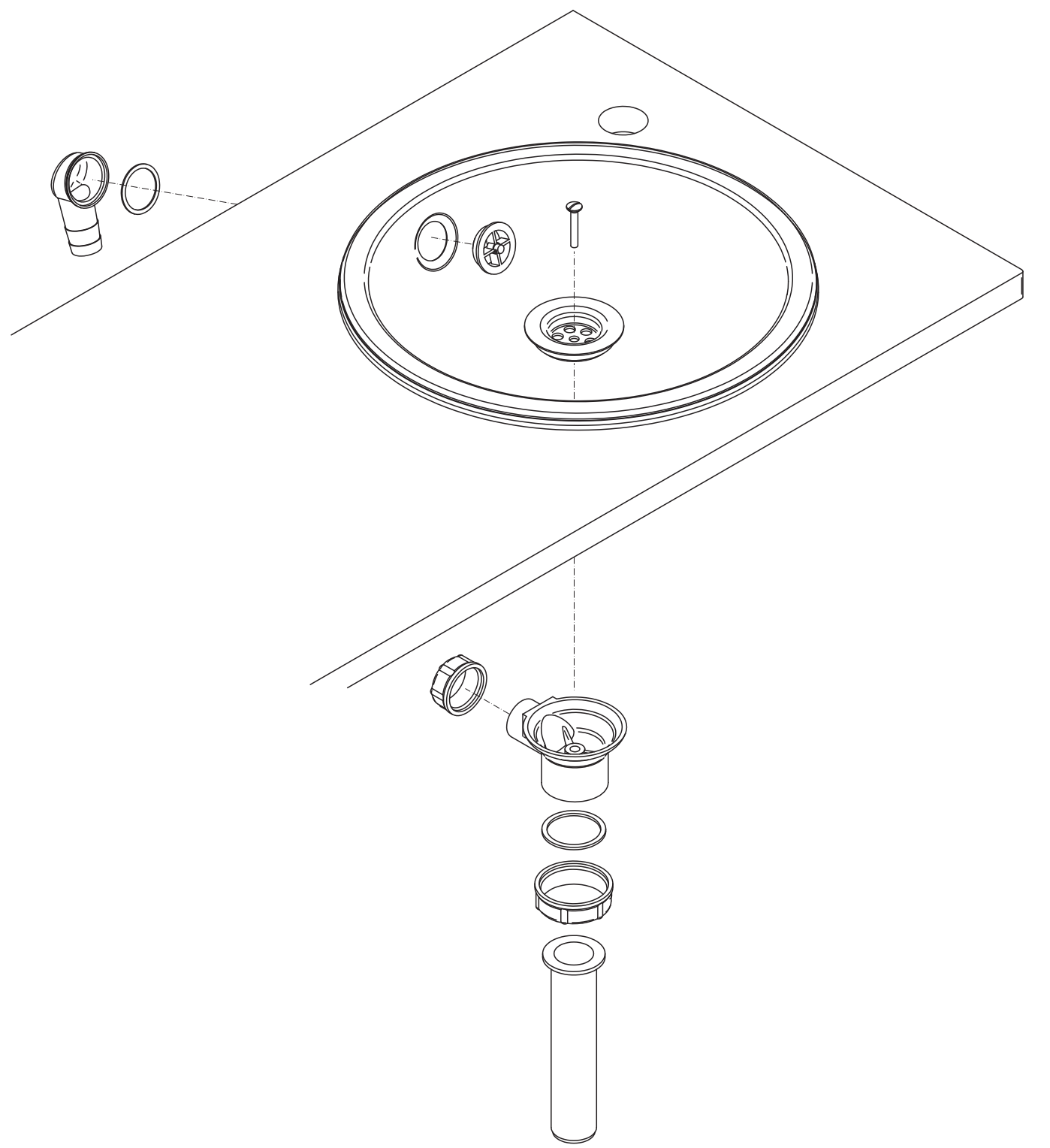


K 883/S
883

A



C



B

